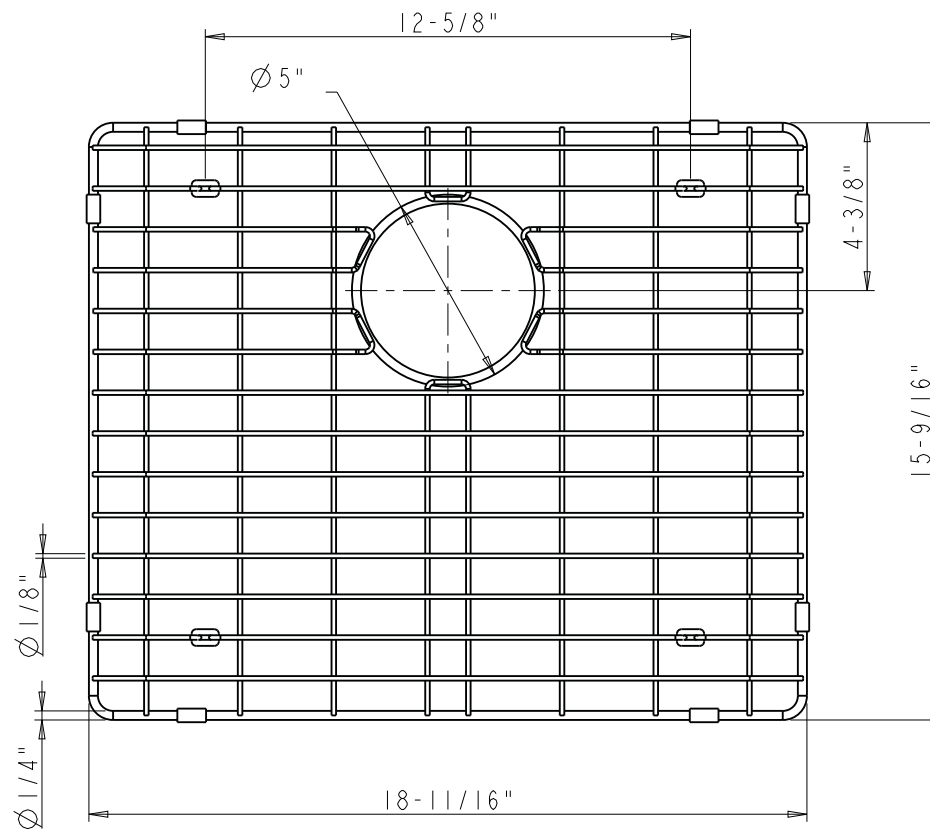
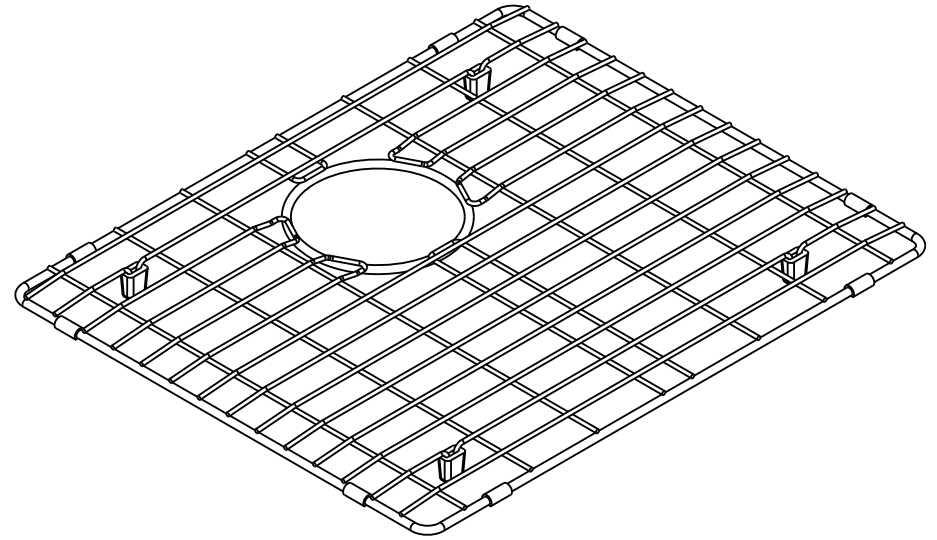
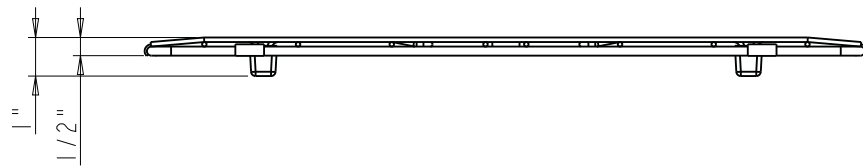
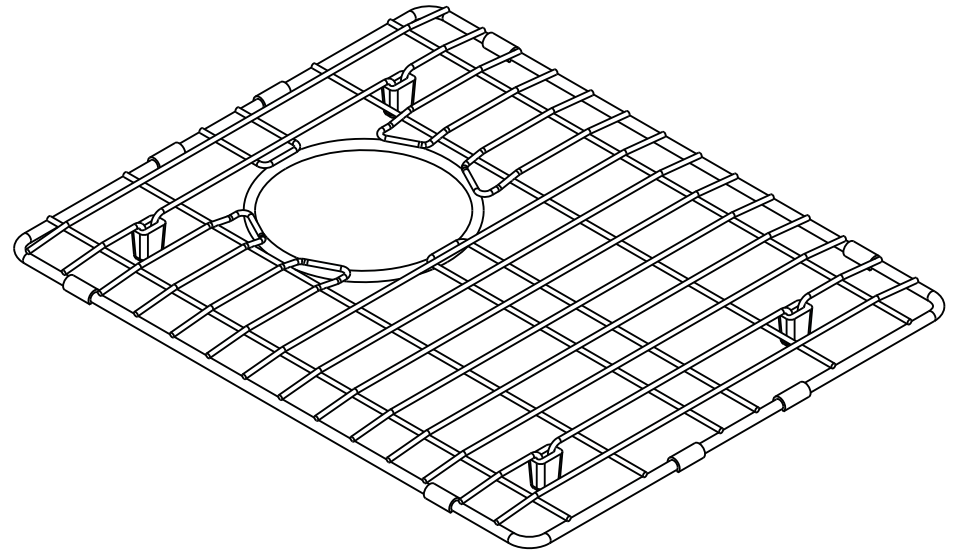
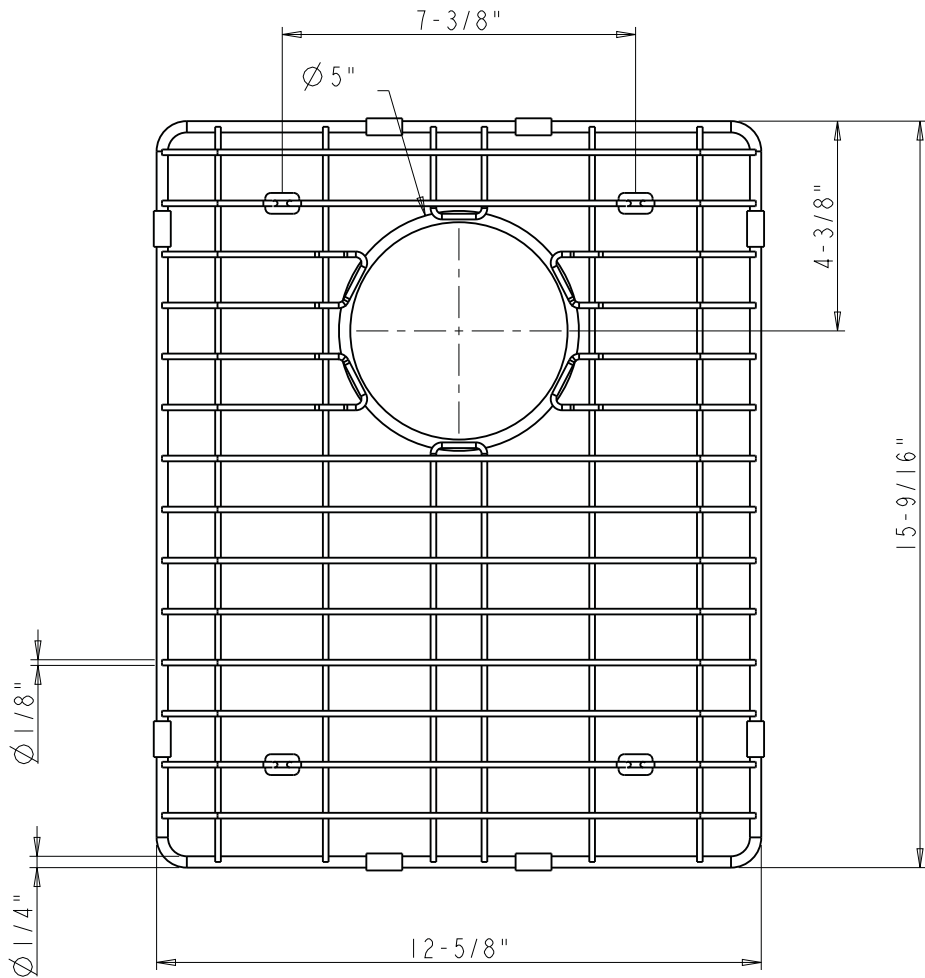
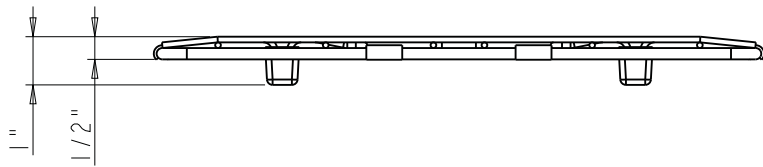


	ITEM#:	HA225-GRID		MATERIAL:	STEEL	
	FINISH:			WEIGHT:	0.000 g	
<p>PROPRIETARY AND CONFIDENTIAL</p> <p>THE INFORMATION CONTAINED IN THIS DRAWING IS THE SOLE PROPERTY OF HARDWARE RESOURCES INC. ANY REPRODUCTION IN PART OR AS A WHOLE WITHOUT THE WRITTEN PERMISSION OF HARDWARE RESOURCES INC. IS PROHIBITED.</p>	<p>TOLERANCE UNLESS OTHERWISE SPECIFIED:</p> <p>X ±0.20</p> <p>XX ±0.10</p> <p>XXX ±0.05</p> <p>ANGULAR: ±0.5°</p>		UNITS:	DRAWN BY:	DATE:	
	<p>DO NOT SCALE DRAWING</p>		SIZE:	APPROVED BY:	DATE:	
			SHEET:	RELEASE LEVEL:	REVISION:	
			1 OF 1			
			<p>PROJECTION</p>			
			<p>Hugo.cai</p>		01-04-16	



	ITEM#: HA225-GRID-A		MATERIAL: STEEL	
	FINISH:		WEIGHT: 0.000 g	
	PROJECTION			
	TOLERANCE UNLESS OTHERWISE SPECIFIED: X ±0.20 XX ±0.10 XXX ±0.05 ANGULAR: ±0.5°		UNITS:	DRAWN BY: Hugo.cai
THE INFORMATION CONTAINED IN THIS DRAWING IS THE SOLE PROPERTY OF HARDWARE RESOURCES INC. ANY REPRODUCTION IN PART OR AS A WHOLE WITHOUT THE WRITTEN PERMISSION OF HARDWARE RESOURCES INC. IS PROHIBITED.		SIZE: A4	APPROVED BY:	DATE:
DO NOT SCALE DRAWING		SHEET: 1 OF 1	RELEASE LEVEL:	REVISION:



	ITEM:	HA225-GRID-B		MATERIAL:	STEEL	
	FINISH:			WEIGHT:	0.000 g	
<p>PROPRIETARY AND CONFIDENTIAL</p> <p>THE INFORMATION CONTAINED IN THIS DRAWING IS THE SOLE PROPERTY OF HARDWARE RESOURCES INC. ANY REPRODUCTION IN PART OR AS A WHOLE WITHOUT THE WRITTEN PERMISSION OF HARDWARE RESOURCES INC. IS PROHIBITED.</p>	<p>TOLERANCE UNLESS OTHERWISE SPECIFIED:</p> <p>X ±0.20</p> <p>XX ±0.10</p> <p>XXX ±0.05</p> <p>ANGULAR: ±0.5°</p>		UNITS:	DRAWN BY:	DATE:	
	<p>DO NOT SCALE DRAWING</p>		SIZE:	APPROVED BY:	DATE:	
			SHEET:	RELEASE LEVEL:	REVISION:	
			1 OF 1			